



### FEATURES

- RoHS compliant
- Up to 3.1A I<sub>DC</sub>
- 2.7µH to 220µH
- Optional integral EMI shield
- Low R<sub>DC</sub>
- Surface mount
- Compact size
- Tape and reel packaging
- J-STD-020C reflow
- Backward compatible with Sn/Pb soldering systems

### DESCRIPTION

The 2400 series is a range of bobbin-wound, surface-mount inductors designed for use in switching power supply, and power line filter circuits. The parts are suitable for any application requiring a high saturation current in a miniature surface-mount footprint. Where EMI is a critical factor, the devices are available with an integral ferrite EMI shield.

### SELECTION GUIDE (UNSHIELDED TYPES)

Order Code	Inductance (1kHz, 100mV <sub>AC</sub> )	Inductance Range (1kHz, 100mV <sub>AC</sub> )	DC Current <sup>1</sup>	DC Resistance	SRF
	Nom. µH	Min. - Max. µH	Max. A	Max. mΩ	Nom. MHz
242R7C	2.7	2.04 - 3.78	2.60	39	57.0
243R3C	3.3	2.44 - 4.54	2.40	42	53.0
244R7C	4.7	3.37 - 6.25	2.10	50	45.0
246R8C	6.8	5.03 - 9.34	1.75	61	37.0
24100C	10	8.00 - 12.0	1.44	100	27.8
24120C	12	8.54 - 15.9	1.36	100	26.0
24150C	15	12.0 - 18.0	1.30	120	22.0
24180C	18	13.0 - 24.1	1.26	150	20.0
24220C	22	17.6 - 26.4	1.11	180	16.5
24330C	33	28.1 - 34.7	0.88	230	13.1
24470C	47	40.8 - 54.1	0.72	370	10.9
24680C	68	61.2 - 74.8	0.61	460	9.38
24101C	100	90.0 - 110	0.52	700	7.03
24151C	150	135 - 165	0.40	1100	5.13
24221C	220	198 - 242	0.35	1570	4.24

### SELECTION GUIDE (SHIELDED TYPES)

Order Code	Inductance (1kHz, 100mV <sub>AC</sub> )	Inductance Range (1kHz, 100mV <sub>AC</sub> )	DC Current <sup>1</sup>	DC Resistance	SRF
	Nom. µH	Min. - Max. µH	Max. A	Max. mΩ	Nom. MHz
24S2R7C	2.7	1.78 - 3.52	3.10	28	79.0
24S3R3C	3.3	2.07 - 4.68	2.80	32	63.0
24S4R7C	4.7	2.82 - 6.01	2.39	37	52.0
24S6R8C	6.8	4.40 - 9.17	2.00	45	39.0
24S100C	10	8.50 - 12.5	1.64	70	25.6
24S120C	12	7.65 - 15.2	1.50	74	29.0
24S150C	15	12.8 - 18.8	1.34	90	19.7
24S180C	18	11.1 - 22.7	1.22	91	23.0
24S220C	22	18.7 - 27.5	1.10	120	15.7
24S330C	33	28.1 - 41.3	0.90	190	11.2
24S470C	47	40.0 - 58.8	0.75	240	10.2
24S680C	68	57.8 - 85.0	0.63	370	8.09
24S101C	100	85.0 - 120	0.52	540	6.2
24S151C	150	128 - 180	0.42	860	4.88
24S221C	220	187 - 264	0.35	1310	3.58

### ABSOLUTE MAXIMUM RATINGS

Operating free air temperature range	-40°C to 85°C
Storage temperature range	-40°C to 125°C

### SOLDERING INFORMATION<sup>2</sup>

Peak reflow temperature	250°C
Pin finish	Hot dipped tin

Specifications typical at T<sub>A</sub> = 25°C

1 The maximum DC current is the value at which the inductance falls to 80% of its nominal value or when its temperature rise reaches 40°C, whichever is sooner.

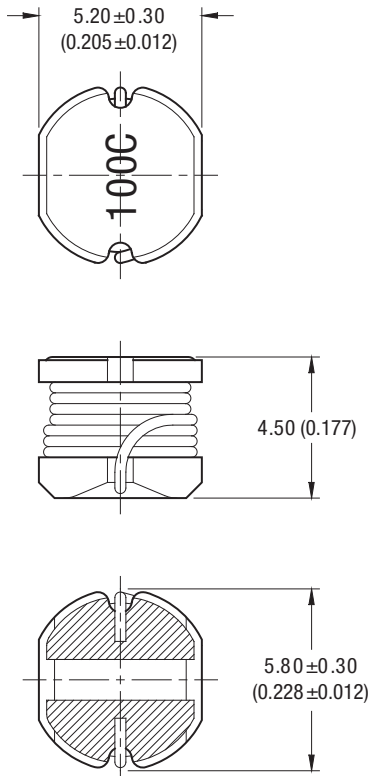
2 For further information, please visit [www.murata-ps.com/rohs](http://www.murata-ps.com/rohs)



For full details go to  
[www.murata-ps.com/rohs](http://www.murata-ps.com/rohs)

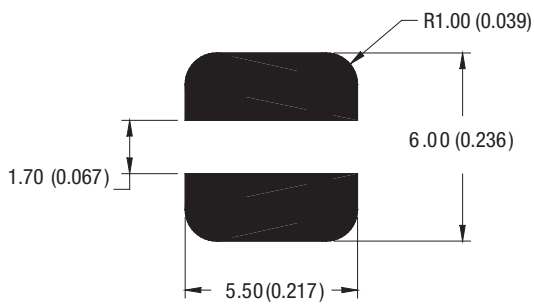
**MECHANICAL DIMENSIONS**

**UNSHIELDED TYPES**

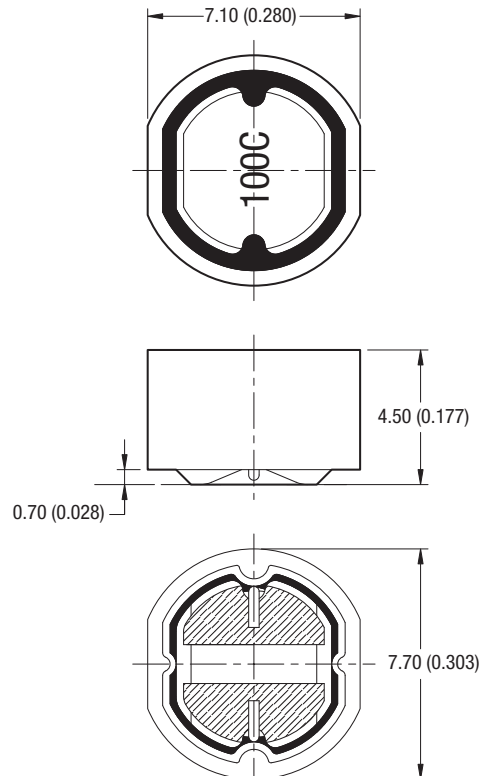


Unless otherwise stated all dimensions in mm (inches)  
 $\pm 0.25$  (0.01). Package Weight 0.43g Typ.

**RECOMMENDED FOOTPRINT**

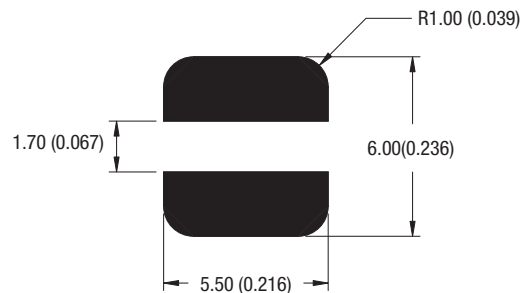


**SHIELDED TYPES**



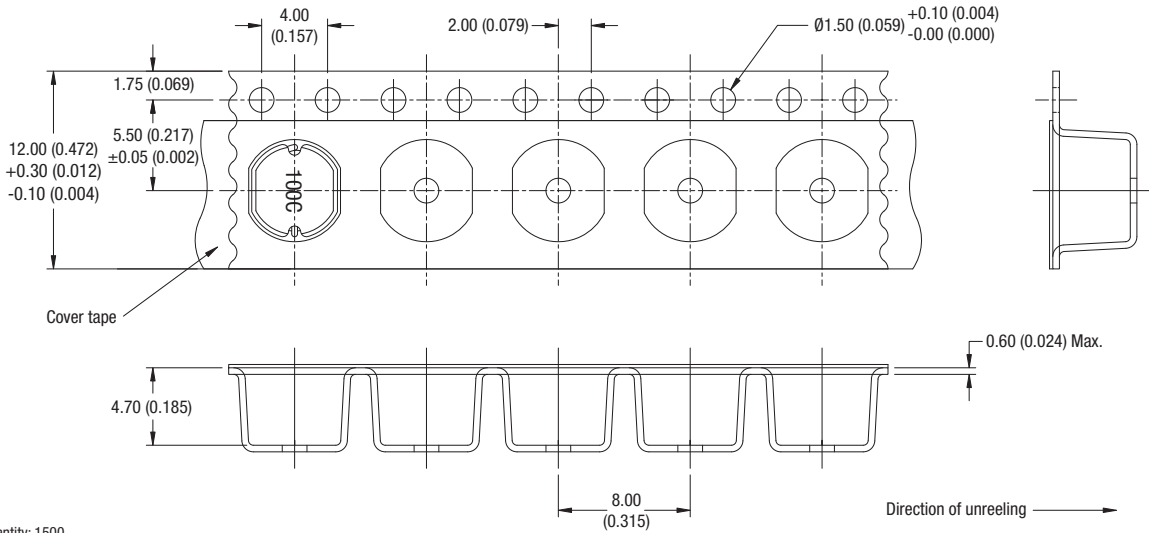
Unless otherwise stated all dimensions in mm (inches)  
 $\pm 0.25$  (0.01). Package Weight 0.72g Typ.

**RECOMMENDED FOOTPRINT**

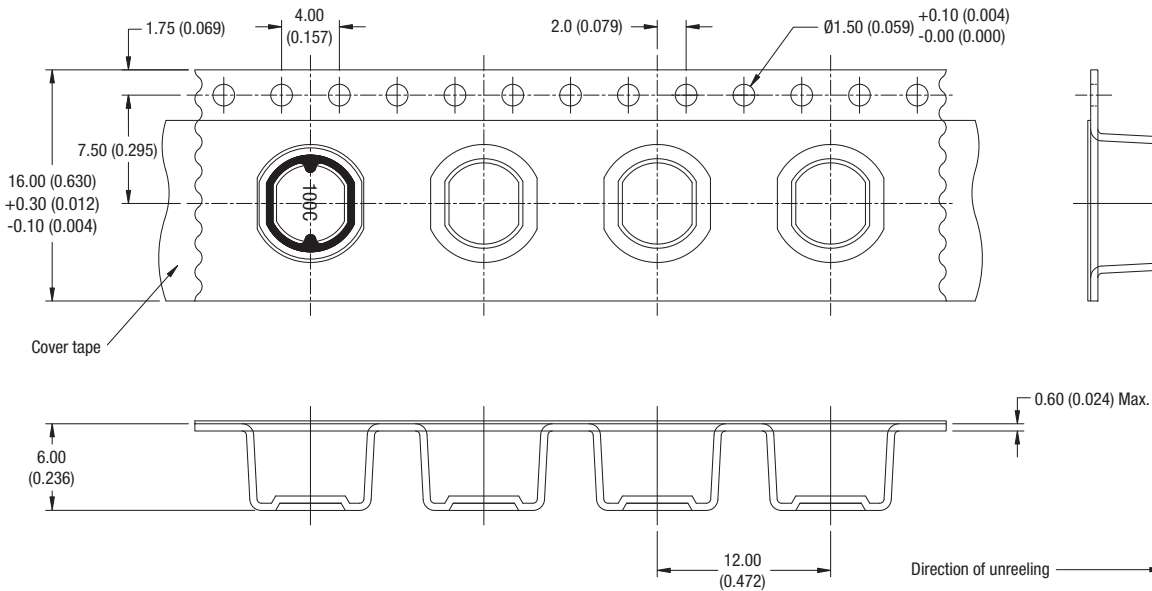


**TAPE & REEL SPECIFICATIONS**

**TAPE OUTLINE DIMENSIONS - UNSHIELDED PARTS**

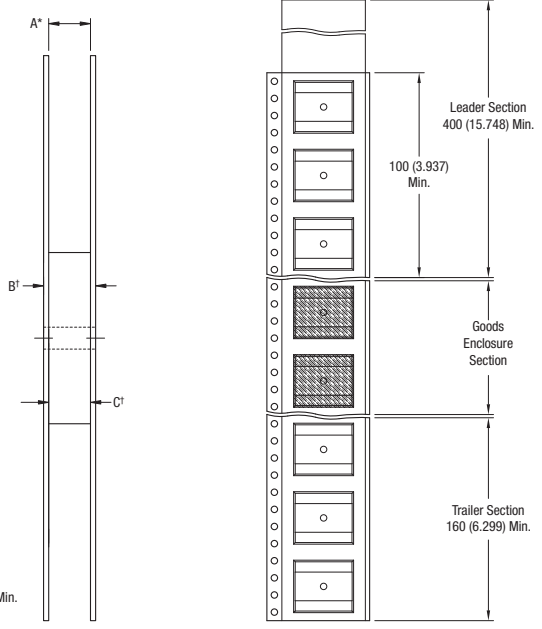
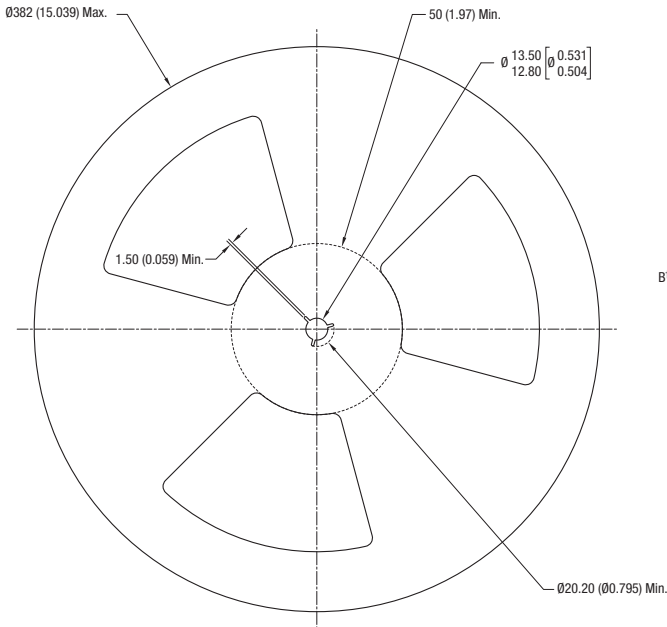


**TAPE OUTLINE DIMENSIONS - SHIELDED PARTS**



**TAPE & REEL SPECIFICATIONS**

**REEL OUTLINE DIMENSIONS**



All dimension in mm [inches]  
 \* Includes flange distortion at outer edge  
 † Measured at hub

	<b>A</b>	<b>B (Max.)</b>	<b>C</b>
Unshielded Types	11.9-15.4 (0.469-0.606)	18.4 (0.724)	12.4-12.6 (0.488-0.496)
Shielded Types	15.9-19.4 (0.626-0.764)	22.4 (0.882)	16.4-16.6 (0.646-0.654)



This product is subject to the following **operating requirements** and the **Life and Safety Critical Application Sales Policy**:  
 Refer to: <http://www.murata-ps.com/requirements/>

Murata Power Solutions (Milton Keynes) Ltd. makes no representation that the use of its products in the circuits described herein, or the use of other technical information contained herein, will not infringe upon existing or future patent rights. The descriptions contained herein do not imply the granting of licenses to make, use, or sell equipment constructed in accordance therewith. Specifications are subject to change without notice.  
 © 2020 Murata Power Solutions (Milton Keynes) Ltd.